



TRAILER PARTS & ACCESSORIES

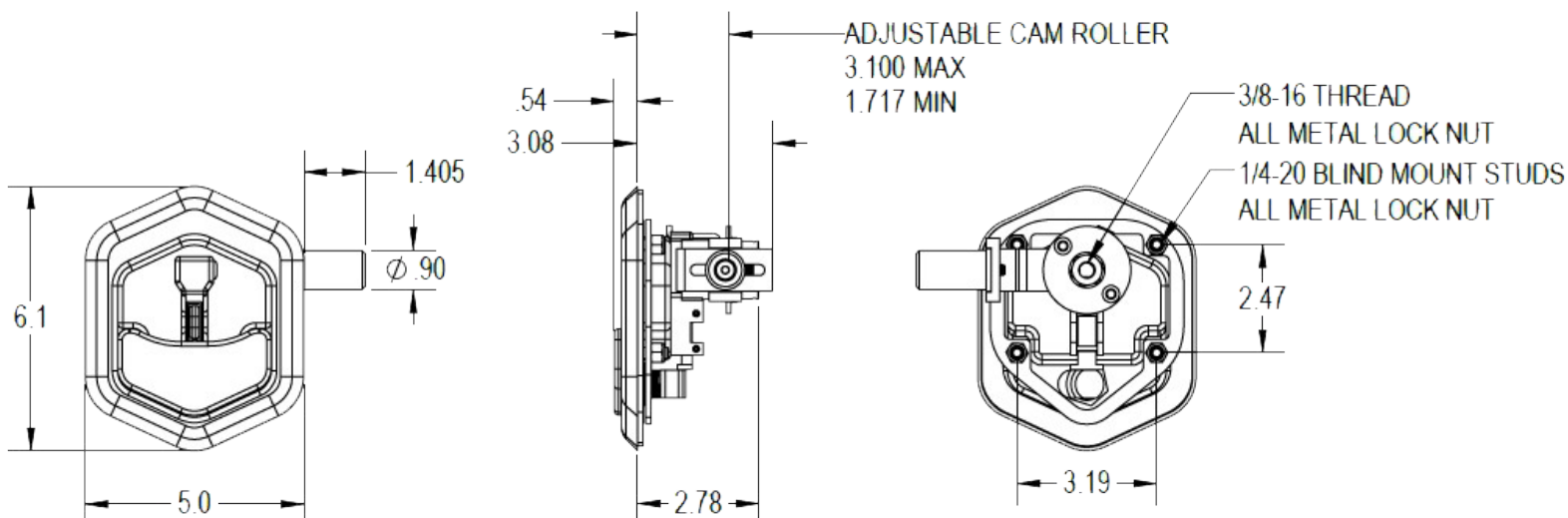
"STEALTH" COMPRESSION LATCH

FEATURES AND BENEFITS:

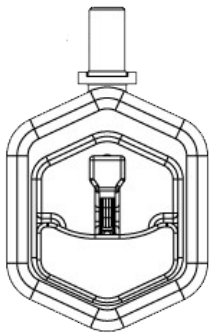
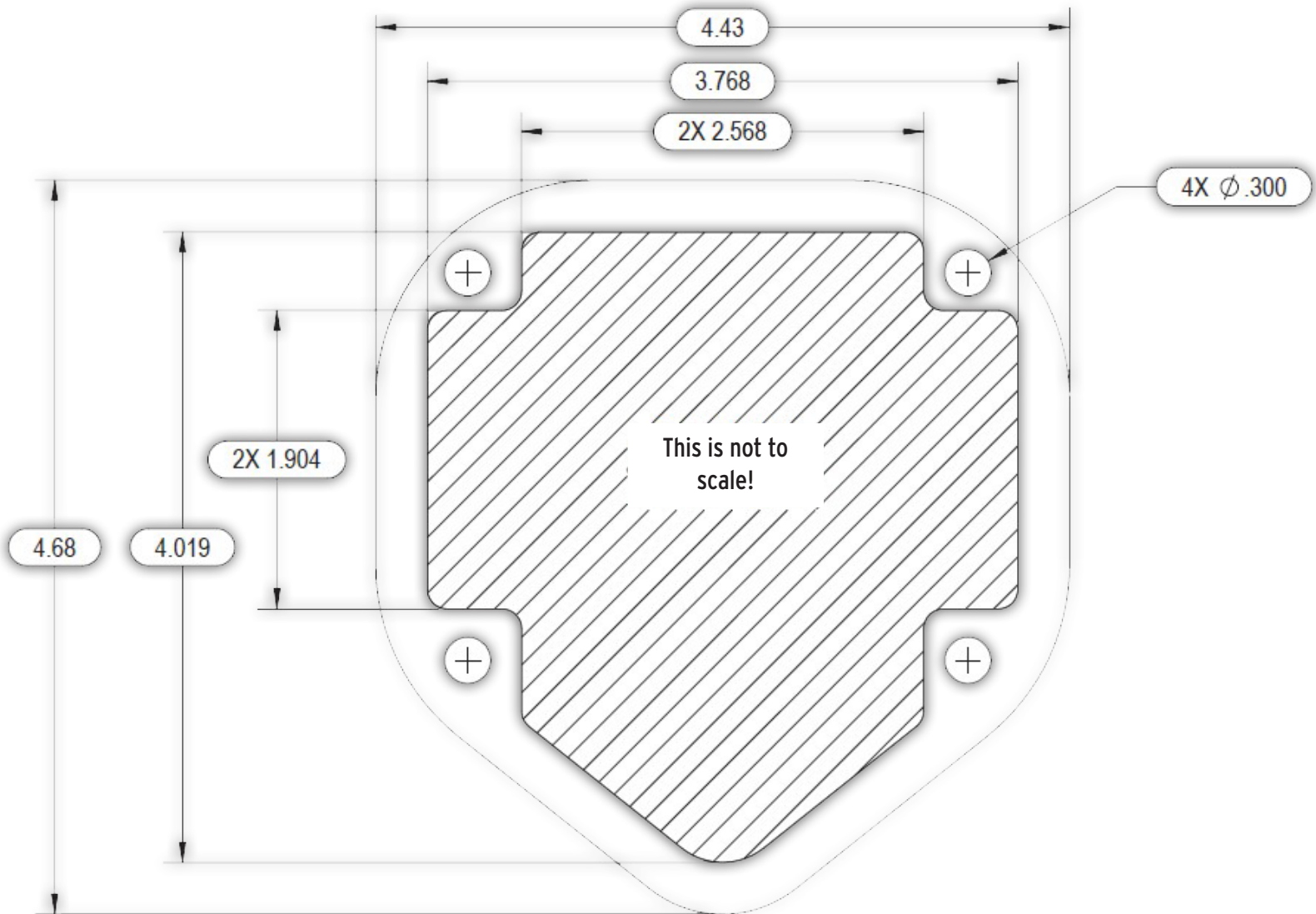
- Flush latch with compression feature for SNUG latching action
- Adjustable roller cam eliminates metal-to-metal latch contact
- Cam-action preset for 12-o'clock position closed, 9-o'clock open
- Cam-action can be changed to 12-to-3, 3-to-12 or 9-to-12 rotation options (See illustrations on reverse side)
- Keyed tumbler lock
- Additional padlock tab feature built-in
- Black body, chrome T-handle



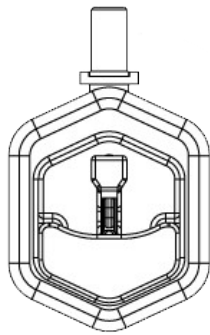
PART #	REF #	DESCRIPTION
FT8000-CH-BK	380232	Stealth Compression Latch Black, Chrome T-Handle



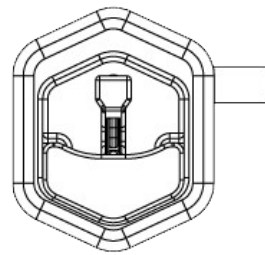
Product Specifications



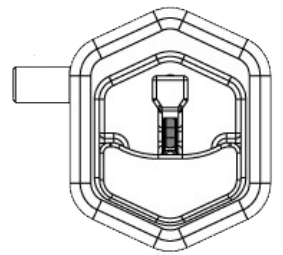
Standard Cam preset



Option 1



Option 2



Option 3

- Stealth Latch comes from factory with standard cam preset position of 12-o'clock closed, 9-o'clock open. Cam-action position can be changed to any one of the three options above by loosening 3/8-16 center pivot nut and moving cam lever to desired position.